

BIDS AND AWARDS COMMITTEE

NOTICE OF NEGOTIATED PROCUREMENT

The Philippine International Convention Center (PICC) announces that the Bids and Awards Committee (BAC) will conduct a Negotiated Procurement for the **SUPPLY OF LABOR AND MATERIALS FOR THE REPLACEMENT OF BULLET RESISTANT GLASS DOORS OF HEROES ROOM**. The total Approved Budget for Contract (ABC) for this requirement is **ONE MILLION EIGHT HUNDRED SIXTY-FIVE THOUSAND EIGHT HUNDRED FIFTY-FIVE PESOS (₱1,865,855.00), VAT inclusive**.

This will be undertaken in accordance with Sec. 53.1, Two Failed Bids, of the Revised Implementing Rules and Regulations (RIRR) of Republic Act No. 9184 otherwise known as “The Government Procurement Reform Act”.

A complete set of documents may be obtained by interested bidders from July 5, 2023 to on or before 3:00 p.m. of July 14, 2023.

Submission of proposals will be on or before 3:00 p.m. of July 14, 2023, at the BAC Secretariat Office, Ground Floor, Delegation Building, PICC Complex, 1307 Pasay City. Attached are the specifications for this particular procurement.



MELPIN A. GONZAGA
Chairman

BIDS AND AWARDS COMMITTEE (BAC)

NEGOTIATED PROCUREMENT

Sir:

We wish to inform you that the procurement of the **SUPPLY OF LABOR AND MATERIALS FOR THE REPLACEMENT OF BULLET RESISTANT GLASS DOORS OF HEROES ROOM**, will be done by way of Alternative Method of Procurement through Negotiated Procurement.

The total Approved Budget for Contract (ABC) for this project is **ONE MILLION EIGHT HUNDRED SIXTY-FIVEV THOUSAND EIGHT HUNDRED FIFTY-FIVE PESOS (₱1,865,855.00), VAT inclusive.**

Please submit your proposal on or before **3:00 p.m. of July 14, 2023** at the BAC Secretariat, Ground floor, Delegation Building, PICC together with the following:

A. ELIGIBILITY DOCUMENTS:

1. Certified photocopy of the valid and current PhilGEPS Certificate of Registration – Platinum Membership.

If any of the documents mentioned in Annex “A” is not current, the new document should be submitted.

2. Statement of all on-going government and private contracts, including contracts awarded but not yet started, if any, whether similar or not similar in nature and complexity to the contract to be bid;
3. Statement of the Single Largest Completed Contract (SLCC) similar to the contract to be bid, entered into within the last ten (10) years from the date of submission and opening of bids, and whose value is at least fifty percent (50%) of the ABC. Attach to such statement the following;

- a.Certified photocopy of the SLCC; and
- b.Certificate of Acceptance or Official Receipt or Sales Invoice

4. Net Financial Contracting Capacity (NFCC):

Computation of NFCC must be at least equal to the ABC to be bid, calculated as follows;

NFCC = [(Current assets minus current liabilities) (15)] minus the value of all outstanding or uncompleted portions of the projects under ongoing contracts, including awarded contracts yet to be started, coinciding with the contract to be bid. or a committed Line of Credit from Universal or Commercial Bank, in lieu of

its NFCC Computation. The committed Line of Credit must be at least equal to ten percent (10%) of the ABC to be bid.

B. TECHNICAL COMPONENT:

1. Terms of Reference fully accomplished;
2. Notarized Omnibus Sworn Statement with attached;
 - a. For Corporations, the duly notarized Secretary's Certificate; or
 - b. For Sole Proprietorship, the notarized Special Power of Attorney.

C. OTHER DOCUMENTARY REQUIREMENTS:

1. Certified Photocopy of the CY 2022 Income and Business Tax Returns with proof of payment;
2. Company Profile with sketch of office location;
3. Certifications that the participating bidder has conducted ocular inspection of the above subject requirements;
4. Project Schedule/ Work Program;
5. Project Safety and Health Program signed by the Safety Officer.
6. Certificate of Satisfactory Completion & Acceptance of previous PICC projects undertaken within the last five (5) years, if any.

Negotiation shall be made with the bidder who made the lowest offer; should the negotiation fail then the same shall be made with the second lowest offer.

Attached is the Terms of Reference and other requirements for the implementation of the abovementioned requirements.

PICC reserves the right to reject any offer or all quotations found to be disadvantageous to the government.

Very truly yours,


MELPIN A. GONZAGA
Chairman

Date

The Chairman
Bids and Awards Committee (BAC)
Philippine International Convention Center (PICC)

Dear Sir/Madam:

In response to your letter dated _____, 2023, I wish to submit our offer for the
**SUPPLY OF LABOR AND MATERIALS FOR THE REPLACEMENT OF BULLET
RESISTANT GLASS DOORS OF HEROES ROOM**

TOTAL AMOUNT OF BID IN WORDS _____
_____ (P. _____) VAT Inclusive

Very truly yours,

Signature of bidder over printed name

Address

Telephone/Fax No.

TERMS OF REFERENCE

Item	Specification	Statement of Compliance																																							
<p>SUPPLY OF LABOR AND MATERIALS FOR THE REPLACEMENT OF THE BULLET RESISTANT GLASS DOORS OF HEROES ROOM</p>																																									
<p>I. SCOPE OF WORKS and SPECIFICATIONS:</p> <p>The works shall be supply of all materials, labor, tools, equipment and other incidental necessary for the replacement of the bullet resistant glass doors of the subject project.</p> <p>The following features of the work shall be performed, but not limited to the following:</p> <ol style="list-style-type: none"> 1. Mobilization <ul style="list-style-type: none"> Manpower, tools, equipment and temporary warehouse. 2. Health and Safety requirements <ol style="list-style-type: none"> a. Installation of safety signage, same as the PICC standard signage 22" x 32". b. Personal Protective Equipment (PPE). The Contractor shall comply with the protocol against COVID-19. All workers shall wear their company uniform together with the required PPEs 3. Replacement of bullet resistant glass doors at Heroes Room: <ol style="list-style-type: none"> a. Dismantling of existing bullet resistant glass doors and frames, see attached plan for details. b. Supply and installation of door jamb and glass frame. The materials to be used shall be 304 stainless tubular steel-1.5mm thick with 304 stainless steel reinforced with tubular-2mm thick, color- black titanium brushed matte, see attached plan for details. c. Supply and installation of bullet resistant glass. The bullet resistant glass shall be 25mm thick and compliant to National Institute of Justice (NIJ) 0108.01, Level II. 																																									
<table border="1" style="width: 100%; border-collapse: collapse;"> <thead> <tr> <th colspan="3">Test Variables</th> <th colspan="4">Performance Requirements</th> </tr> <tr> <th>Armor Type</th> <th>Test Ammunition</th> <th>Nominal Bullet Mass</th> <th>Suggested Barrel Length</th> <th>Required Bullet Velocity</th> <th>Required Hits Per Armor Specimen</th> <th>Permitted Penetrations</th> </tr> </thead> <tbody> <tr> <td align="center">II</td> <td align="center">357 Magnum</td> <td align="center">10.2 g</td> <td align="center">15 to 16.5 cm</td> <td align="center">425 ± 15 m/s</td> <td align="center">5</td> <td align="center">0</td> </tr> <tr> <td></td> <td align="center">JSP</td> <td align="center">158 gr</td> <td align="center">6 to 6.5 in</td> <td align="center">1395 ± 50 ft/s</td> <td></td> <td></td> </tr> <tr> <td></td> <td align="center">9mm</td> <td align="center">8.0 g</td> <td align="center">10 to 12 cm</td> <td align="center">358 ± 12m/s</td> <td align="center">5</td> <td align="center">0</td> </tr> </tbody> </table>							Test Variables			Performance Requirements				Armor Type	Test Ammunition	Nominal Bullet Mass	Suggested Barrel Length	Required Bullet Velocity	Required Hits Per Armor Specimen	Permitted Penetrations	II	357 Magnum	10.2 g	15 to 16.5 cm	425 ± 15 m/s	5	0		JSP	158 gr	6 to 6.5 in	1395 ± 50 ft/s				9mm	8.0 g	10 to 12 cm	358 ± 12m/s	5	0
Test Variables			Performance Requirements																																						
Armor Type	Test Ammunition	Nominal Bullet Mass	Suggested Barrel Length	Required Bullet Velocity	Required Hits Per Armor Specimen	Permitted Penetrations																																			
II	357 Magnum	10.2 g	15 to 16.5 cm	425 ± 15 m/s	5	0																																			
	JSP	158 gr	6 to 6.5 in	1395 ± 50 ft/s																																					
	9mm	8.0 g	10 to 12 cm	358 ± 12m/s	5	0																																			

aw

	FMJ	124 gr	4 to 4.75 in	1175 ± 40 ft/s		
--	-----	--------	--------------	----------------	--	--

*JSP – Jacketed Soft Point

*FMJ – Full Metal Jacket

NIJ STANDARD: TEST METHOD

Type II Test Weapon and Ammunition

Higher Velocity 357 Magnum: The test weapon may be a 357 Magnum handgun or test barrel. The use of a handgun with a 15 to 16.5 cm (6 to 6.5 in) barrel is suggested. Test Bullets shall be 357 Magnum soft point, with nominal masses of 10.2 g (158gr) and measured velocities of 425 ± 15 m (1395 ± 50 ft) per second.

Higher Velocity 9 mm: The test weapon may be a 9 mm handgun or test barrel. The use of a handgun with a 10 to 12 cm (4 to 4.75 in) barrel is suggested. Test Bullets shall be 9 mm full metal jacketed, with nominal masses of 8.0 g (124 gr) and measured velocities of 358 ± 12 m (1175 ± 40 ft) per second.

- d. Supply and installation of two (2) heavy duty door closers, with hold and open features. Submit EN 1154 certificate of compliance. Submit brochure of door closer before installation for approval.
- e. Supply and installation of mortise lockset, stainless steel with four (4) sliding deadbolts plus one (1) spring bolt, measuring 240mm (Height) x 30mm (Width). Submit brochure of mortise lockset before installation for approval.
- f. Supply and installation of vertical locks, top and bottom, embedded into the door frame, solid stainless steel, spring-loaded, at least 304mm (length) with 10mm solid stainless steel round bolts.
- g. Supply and installation of heavy duty solid stainless steel hinges. 5 pcs. per door. Submit brochure of the hinges before installation for approval.

Hinge Specification:

	Capacity (kg)	Length (mm)	Width (mm)	Thickness (mm)
1 hinge	80	165	40	3

- h. Supply and installation of two (2) pcs. 304 stainless steel handle to be mounted over the mortise lockset. Submit brochure of mortise lockset before installation for approval.
- 4. Restoration work.
- 5. Hauling of dismantled bullet resistant glass doors and frames at PICC- workshop.
- 6. Demobilization
Manpower, tools, equipment, temporary warehouse, including hauling-out of construction debris.
- 7. Submission of Certificate from Research Development Center of the Philippine Army (RDC-PA) and Evaluation Sample
 - a. The Contractor shall submit a 1 ft. x 1 ft. sample of the glass to be used.

The sample shall be considered compliant and acceptable from RDC-PA stating that the submitted sample passed the testing of NIJ0108.01 Level 2.

b. The *compliant* sample and RDC-PA certificate must be submitted within ten (10) calendar days from receipt of the *Notice of Proceed*

II. GENERAL CONDITIONS:

1. The Contract Documents, Specifications and Drawings are mutually complimentary. What is noted in one although not shown in other shall be considered contained in all, in case of conflict. The Specifications shall prevail over the Drawings. The documents forming the Contract shall be interpreted in the following order of priority:
 - a. Contract/Construction Agreement
 - b. Contractor's Bid
 - c. Special Conditions of the Contract
 - d. Specifications
 - e. Drawings
 - f. Any other document listed in the Special Conditions of the Contract as forming part of the Contract
2. The Bidders shall examine all the issued documents relating to the work and must have verified all the existing conditions at the site. No consideration will be given for any alleged misunderstanding or misinterpretation of the specifications and materials to be used or work to be done.
3. The Bidders shall inspect and examine the site and the surroundings of the project to arrive at a reasonable estimate of the labor, materials, equipment, facilities and services necessary to carry out the works.
4. Tapping of equipment and other related works at the temporary facilities shall be properly coordinated with PICC Representative for provision of electrical power and water. For this purpose, the CONTRACTOR shall provide a sub-meter for power and water consumptions and shall be billed accordingly to the total kilowatt and volume utilized.
5. The Lowest Complying Bidder (LCB) shall submit 1ft. x 1 ft. sample of resistant bulletproof glass to be tested for NIJ 0108.01 Level 2, at the Research and Development Center of Philippine Army (RDC-PA). Testing to be witnessed by two (2) representative from the end-user and one (1) representative from the contractor. The cost of testing should be covered by the LCB. The passed and approved sample shall be retained by the end-user as its control sample.
6. The contractor must provide certificate from the bulletproof resistant glass manufacturer that the delivered bulletproof resistant glass is exactly the same in design and structure as the passed and approved sample.

III. CONTRACTOR'S OBLIGATION:

1. The CONTRACTOR shall perform all works necessary to fully accomplish the project.
2. The CONTRACTOR shall provide the following key personnel:

Key Personnel	Relevant Experience
Project Supervisor – Civil or Mechanical Engineer	Must have managed/supervised a completed project involving glass works.
Safety Officer	Minimum of three (3) years' work experience as Safety Officer/Practitioner. Must have Certificate of employment as Safety Officer and Certificate of training in Occupational Safety and Health from DOLE or any DOLE accredited training institution.

3. The CONTRACTOR shall commence execution of the works on the Start Date and shall carry out the works in accordance with the program of work submitted by the CONTRACTOR, as updated with the approval of PICC Representative and complete them by the intended completion date
4. The CONTRACTOR shall provide all supervision, labor, materials, plant and Contractor's equipment, which may be required.
5. The CONTRACTOR shall be liable to all health hazards for its workers, fire and accident claims and other related claims arising from the injuries and damages, which occurred in the vicinity. The Contractor shall submit a Safety and Health Program signed by the Contractor and its Safety Officer. The Contractor shall provide PPEs of its workers. No workers shall be allowed to work on site without PPEs like safety shoes, reflective vest and other necessary protective equipment as protection against COVID-19.
6. The CONTRACTOR shall free the PICC and its personnel from and against all liability for damages arising from injuries or liabilities to persons or damages to property by any act of omissions of the contractor including any and all expenses which may be incurred by its personnel in the defense of any claim, action or suit.
7. Any work that may affect the operation, security and image of the Center shall be coordinated properly with PICC Representative and shall be done in accordance with the Center's approved schedule.
8. Cost of rework and restoration or replacement of all damaged properties due to CONTRACTOR'S poor workmanship or negligence shall be borne by the Contractor.

<p>9. The CONTRACTOR shall submit list of personnel assigned to the project including their NBI clearance before commencing the above scope of works.</p> <p>10. The CONTRACTOR's personnel/workers must wear at all times their PPE, security ID issued by PICC and uniform while working inside the Center.</p> <p>11. The CONTRACTOR shall provide three (3) years warranty certificate for the bullet resistant glass and its frame, including sagging and delamination of glass.</p> <p>IV. WORKMANSHIP:</p> <p>The work throughout shall be executed in the best and most thorough manner to the satisfaction of PICC and its engineers and supervisors who will jointly interpret the meaning of the scope of work and its conditions and shall have the power to reject any work, method of accomplishing every part of work and material used which in their judgment are not in full accordance therewith and are disadvantageous to PICC.</p>	
<p>STATEMENT OF COMPLIANCE</p> <p><i>Bidders must state here either "Comply" or "Not Comply" against each of the individual parameters of each Specification stating the corresponding performance parameter of the equipment offered.</i></p>	

D. Performance Bond

Form of Performance Security	Amount of Performance Security (Equal to Percentage of the Total Contract Price)
Cash or Cashier's/Manager's Check issued by a Universal or Commercial Bank.	Five percent (5%)
Bank draft/guarantee issued by a Universal or Commercial Bank	Five percent (5%)
Surety bond callable upon demand issued by a surety or insurance company duly certified by the Insurance Commission as authorized to issue such security.	Thirty percent (30%)

E. PAYMENT

1. Full payment shall be made upon completion of the project and submission of the following documents:
 - Letter request of the Contractor for the release of the payment for work accomplished
 - Breakdown of work accomplished as validated and certified by PICC Representative
 - Photographs of work accomplished

9✓

- As-Built Plan in soft and hard copy. The hard copy shall be in A3 bond size, three (3) copies signed by the CONTRACTOR and PICC authorized representative. The soft copy shall be saved in a USB.
 - Invoice
2. Full payment shall be subject to the following:
- Five percent (5%) of the Contract amount as retention money. The total “retention money” shall be due for release upon final acceptance of the works or after one (1) year from date of turn-over and acceptance of the project.
3. The PICC representative shall check the Contractor’s request for payment and certify the amount to be paid to the Contractor. Materials and equipment delivered on the site but not completely put in place shall not be included for payment.
4. The PICC shall deduct the following from the certified gross amounts to be paid to the contractor’s full payment.
- 5% as Retention money
 - Amount to cover the third party liabilities

F. Warranty period

The warranty period shall be **Three (3) year** reckoned from the date of final turn-over and acceptance. The obligation for the warranty shall be covered by either **retention money** equivalent to five (5) percent of the total contract amount or a **special bank guarantee** equivalent to five (5) percent of the total contract amount. Said amounts shall only be released after the lapse of the warranty period.

G. Liquidated Damages

In case of delay in the completion period inclusive of duly granted time extensions, if any, the Contractor shall be liable for damages and shall pay the PICC for liquidated damages in an amount equivalent to at least one tenth (1/10) of one percent (1%) of the cost of the unperformed works/services for every day of delay.

The maximum deduction shall be ten percent (10%) of the amount of contract. Once the cumulative amount of liquidated damages reaches ten percent (10%) of the amount of the Contract, the procuring entity may rescind the award without prejudice to other courses of action and remedies open to it.

G. Schedule of Requirements

Item Number	Description	Delivered, Weeks/Months
I	Supply of Labor and Materials for the Replacement of Bullet Resistant Glass Doors of Heroes Room	Work shall be completed within ninety (90) calendar days reckoned seven (7) calendar days from the receipt of the Notice to Proceed

g

I hereby commit to comply and deliver all the above requirements in accordance with the above stated schedule.

Name of Company / Bidder

Signature over printed Name of Authorized Representative

Position

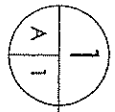
Date

gc

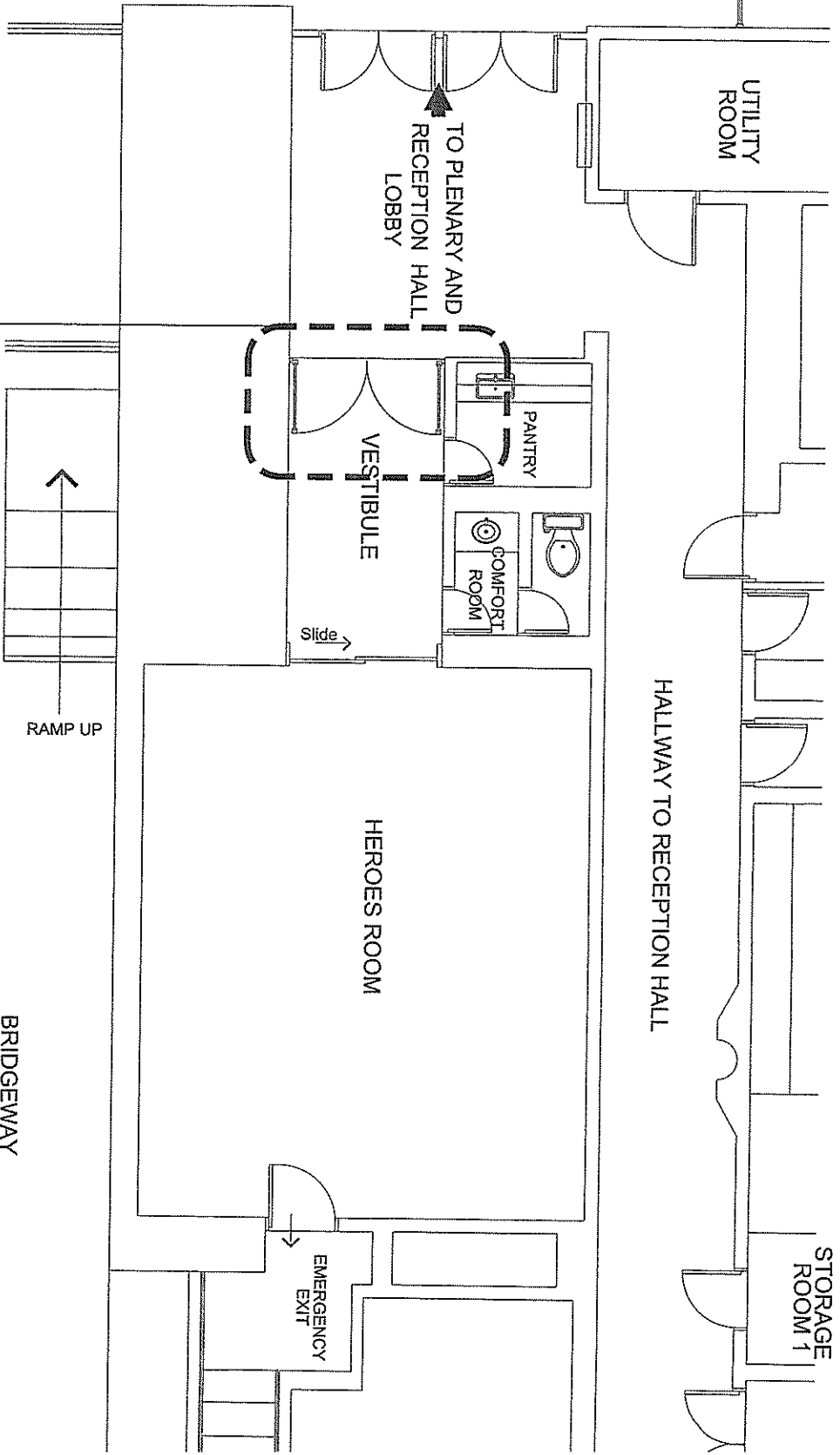


PLENARY / RECEPTION LOBBY

REPLACEMENT OF THE BULLET RESISTANT GLASS DOOR OF THE HEROES ROOM



LOCATION PLAN
SCALE 1 : 70 M.



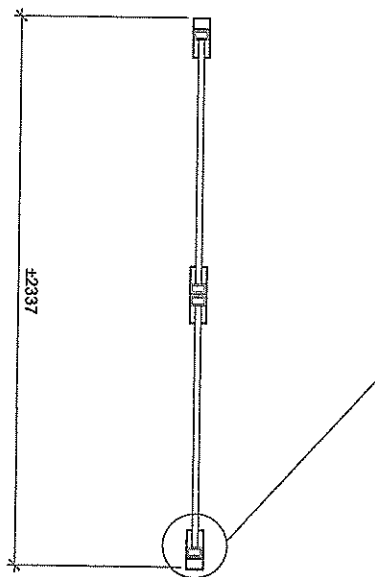
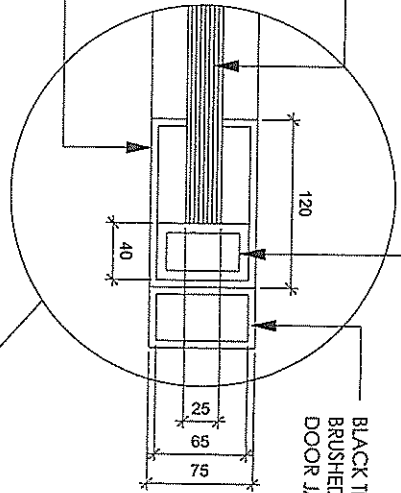
TITLE		DATE		REVISION		VERIFIED BY		RECOMMENDING APPROVAL		APPROVED BY		SHEET N
SUPPLY OF LABOR AND MATERIALS FOR THE REPLACEMENT OF THE BULLET RESISTANT GLASS DOORS OF HEROES ROOM		10.03.2022	11.03.2022	AR. RYANALDO B. MENDOZA JR. BLDG. SERVICES OFFICER	ENGR. WILSON B. DELOS REYES DIRECTOR, SD	ENGR. RENAN B. PADILLA GENERAL MANAGER					A	
LOCATION		AUTOCAD BY		CHECKED BY								
PICCC COMPLEX		LOUIE JAY E. GADON AUTOCAD OPERATOR		ENGR. EDSON T. ADRELIO ASSISTANT DIRECTOR, BSD-1SD		MR. ROBERTO A. GARCIA DEPUTY GENERAL MANAGER						

PROVIDE 2.0mm THK., COLOR - BLACK TITANIUM BRUSHED MATTE TUBULAR TO REINFORCED THE DOOR FRAME

25mm THK. BULLET RESISTANT GLASS

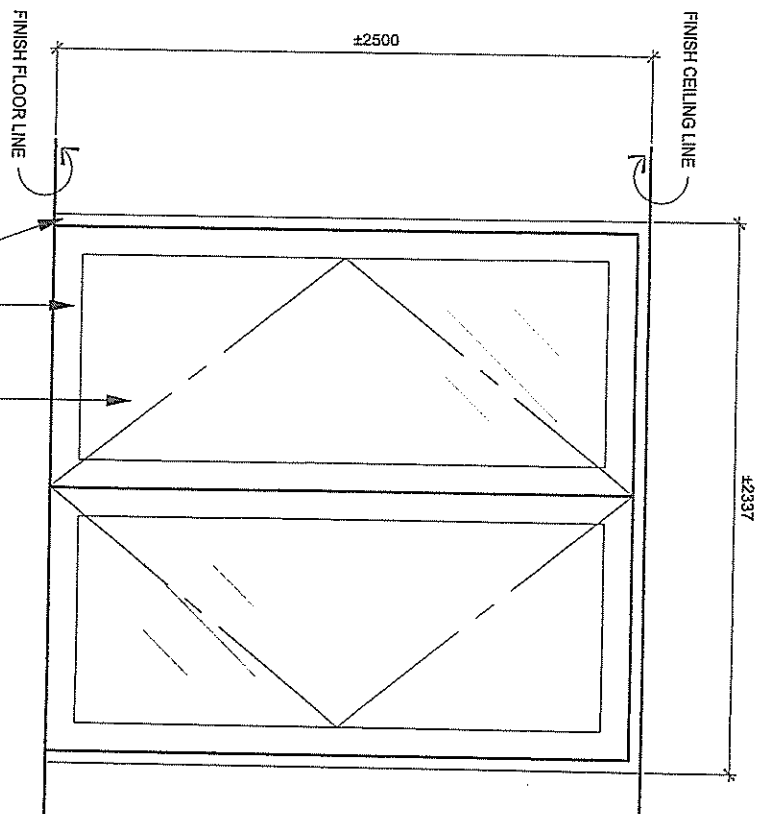
BLACK TITANIUM BRUSHED MATTE DOOR JAMB

1.5mm THK 304 STAINLESS STEEL: BLACK TITANIUM BRUSHED MATTE DOOR FRAME WITH 2 HEAVY DUTY DOOR CLOSER (WITH HOLD AND OPEN FEATURES), MORTISE LOCKSET - 4 SLIDING STAINLESS STEEL BOLTS PLUS 1 SPRING BOLTS, VERTICAL LOCKS EMBEDDED INTO THE DOOR FRAMES, 5 PCS HEAVY DUTY SOLID STAINLESS HINGES PER DOOR AND STAINLESS STEEL HANDLES



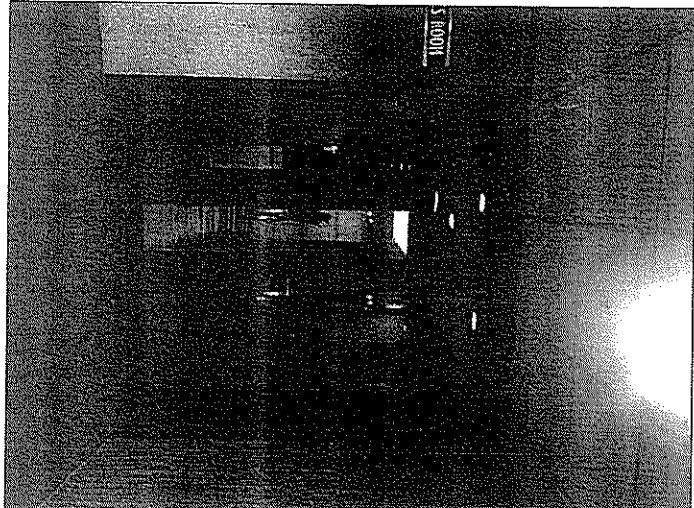
1 PLAN
SCALE 1 : 70 M.

NOTE: VERIFY ACTUAL DIMENSION



2 ELEVATION
SCALE 1 : 70 M.

1.5mm THK 304 STAINLESS STEEL: BLACK TITANIUM BRUSHED MATTE DOOR FRAMES AND JAMB. THE SHALL BE INSTALLED AND FIXED TO THE EXISTING STRUCTURE. PREPARE NECESSARY BOLTS AND SCREWS ACCESSORIES TO HOLD AND SET THE JAMB.



EXISTING DOOR



TITLE		DATE		REVISION		VERIFIED BY		RECOMMENDING OFFICIAL		APPROVED BY		SHEET NO.
SUPPLY OF LABOR AND MATERIALS FOR THE REPLACEMENT OF THE BULLET RESISTANT GLASS DOORS OF HEROES ROOM		10.03.2022	11.03.2022	AR. REYNALDO B. MENDOZA JR. BLDG. SERVICES OFFICER		ENGR. WILSON B. DELOS REYES DIRECTOR/ISD		MR. ROBERTO A. GARCIA GENERAL MANAGER		ATTY. REYNALDO B. PADILLA GENERAL MANAGER		A
LOCATION:		AUTOCAD BY		CHECKED BY		MR. ROBERTO A. GARCIA GENERAL MANAGER		MR. ROBERTO A. GARCIA GENERAL MANAGER		MR. ROBERTO A. GARCIA GENERAL MANAGER		
PICCC COMPLEX		LOUIE JAY E. GADON AUTOCAD OPERATOR		ENGR. EDISON I. AURELIO ASSISTANT DIRECTOR, BSD-ISD								